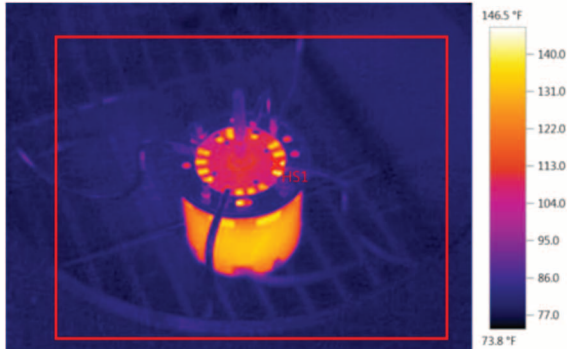
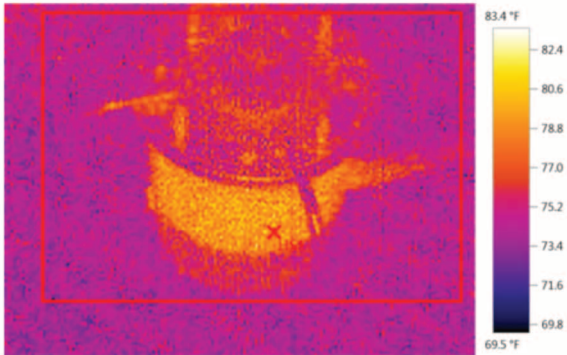


Keep The Cooler Cool

While Azure® can save a significant amount of money due purely to electrical efficiency, contribution savings is a second component to the available energy savings of both Azure® commercial refrigeration motors.



Standard Shaded Pole 3.3" Motor



Azure® 3.3" Motor

Infrared imaging captures the heat generated by a standard shaded pole 3.3" motor for walk-in coolers. The temperature reached 146.5°F after only 5 minutes of operation. This contribution heat is significant and an unnecessary additional load on the refrigeration system that adds hidden cost to the daily operation.

Infrared imaging is challenged to capture the operating temperature of Azure® due to the lack of a significant temperature delta between the ambient air temperature and the motor temperature. Azure® reached only 81.4°F after 5 minutes of operation.

Keep The Motor Inventory Low

While both Azure® commercial refrigeration motors are versatile and capable of replacing a wide range of motor ratings, the Azure® watt motor takes versatility to a new level. Programmable with your smart phone. Download from your App Store... **Azure Programmer App.**



One case motor now replaces most 4 - 25 W motors.

- OEM / ECM / PSC / Shaded Pole
- 4 - 25 W
- 115/230 V
- CW/CCW
- 600 - 2000 RPM
- Condenser or Evaporator Applications

AZURE® Digi-Motor®

The Smartest
Commercial Refrigeration
Motors in the World



Power Matching Performance

ensures correct CFM every time by automatically matching power output to the fan load eliminating mismatched motors and fans. Azure® only consumes the power necessary to turn the load at the rated RPM.

Application	Power Range
Walk-In Coolers:	1/15 - 1/25 HP
Reach-In Coolers:	4 - 25 W

Smart ECM Technology significantly reduces expensive motor stock without sacrificing motor application coverage. Azure® has it covered.





Walk-In Cooler Applications

Drop in 3.3" ECM replaces most OEM / ECM / PSC and standard shaded pole commercial refrigeration evaporator fan motors up to 1/15 HP for walk-in cooler/freezer applications. Smart micro-processor automatically adapts to the fan load up to 1/15HP and voltage up to 230V. With the Azure Programmer app (available for download from the Google Play and Apple stores), speed and rotation can be field programmed using a smart phone and the optional wireless programming kit. A thermistor kit can convert the motor to 2-speed operation without the need for a separate 2-speed controller.

Specifications:

Horsepower:	1/15 - 1/25
Voltage:	115/230
Amps (Max)	1.3/0.65
Efficiency:	68%
Estimated Energy Savings:	\$65/year (\$91/year total) ⁽¹⁾
Operating Range:	-40° to 131°F
OL Protection:	Electronic
Bearing:	Ball
Wire Connector:	Lyall Plug
Listings:	UL/cUL

MARS NO.	RPM	SPEEDS	ROTATION	PROGRAMMABLE
10850	1550	1	Rev	No
10852	1550*	1 or 2**	CCWLE***	Yes

* 1550 default; adjustable 600-2000 RPM with optional wireless programmer kit (MARS No. 08505)

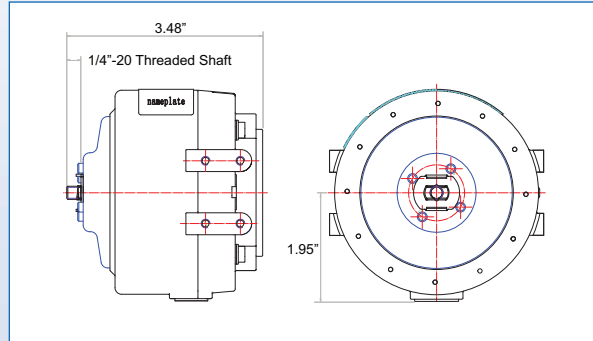
** 2-speeds attainable with optional wireless programmer (MARS No. 08505) and optional thermistor kit (MARS No. 08515)

*** CWLE default; reversible with optional wireless programmer (MARS No. 08505)



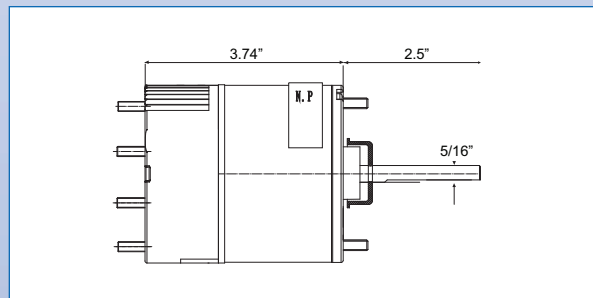
⁽¹⁾ Estimated energy savings based on replacement of a 1/20 HP shaded pole evaporator fan motor with Azure® at \$0.11/kWh. \$65 savings is based solely on the reduction of power consumption. An additional savings of approximately 40% will result from the reduction of the refrigeration load due to Azure®'s lower operating temperature.

Reach-In Cooler/Case Applications Dimensions & Power Consumption Data



Power Consumption		
Fan Load	Standard Motor Power Consumption	Azure® Power Consumption
4 W	28 W	6 W
9 W	47 W	14 W
16 W	77 W	30 W

Walk-In Cooler Applications Dimensions & Power Consumption Data



Power Consumption		
Fan Load	Standard Motor Power Consumption	Azure® Power Consumption
1/20 HP	105 W	43 W
1/15 HP	139 W	57 W

Blue is the New Green

Reach-In Cooler/Case Applications

Submersible watt motor replaces most OEM / ECM / PSC and standard shaded pole commercial refrigeration evaporator and condenser fan motors 4 - 25 W for reach-in cooler/freezer applications. The microprocessor sets power output to match the fan load ensuring correct CFM and maximum efficiency in every installation. With the Azure Programmer app (available for download from the Google Play and Apple stores), speed and rotation can be field programmed using a smart phone and the optional programming kit.

Specifications:

Wattage:	4 - 25
Voltage:	115/230
Amps (Max)	0.47/0.33
Efficiency:	68%
Estimated Energy Savings:	\$33/year (\$46/year total) ⁽²⁾
Operating Range:	-40° to 131°F
OL Protection:	Electronic
Bearing:	Ball
Wire Connector:	90° Angle Lyall Plug
Listings:	UL/cUL
IP Rating:	IP 67 (Submersible)

MARS NO.	RPM	SPEEDS	ROTATION	PROGRAMMABLE
10891	1550*	1	CWLE***	Yes

* 1550 default; adjustable 600-2000 RPM with optional wireless programmer kit (MARS No. 08505)

*** CWLE default; reversible with optional wireless programmer kit (MARS No.08505)

⁽²⁾ Estimated energy savings based on replacement of a 9 W shaded pole evaporator fan motor with Azure® at \$0.11/kWh. \$33 savings is based solely on the reduction of power consumption. An additional savings of approximately 40% will result from the reduction of the refrigeration load due to Azure®'s lower operating temperature.

